

12C-999I190 LC-215 (2001)
Drive & Transmission

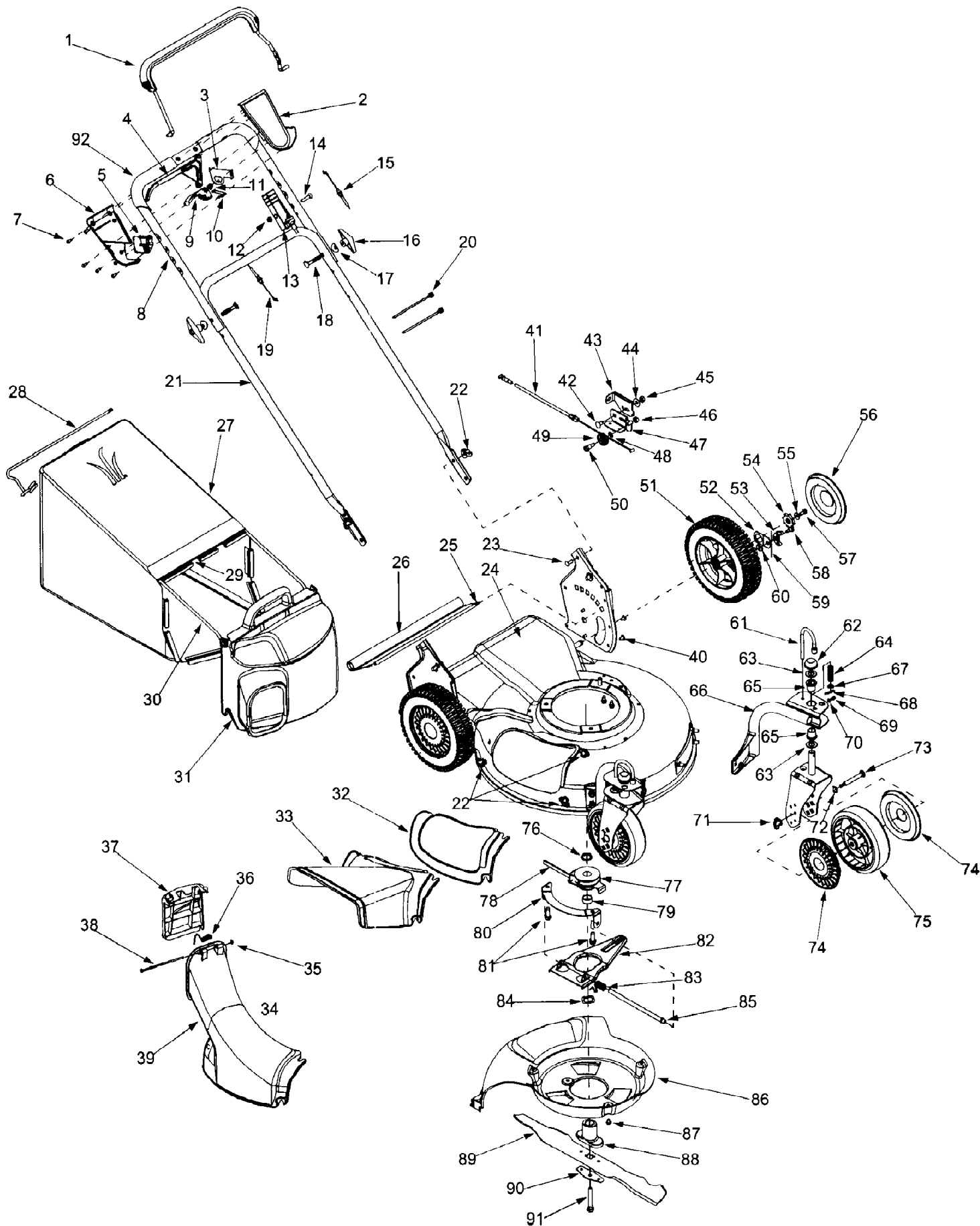
Page 2 of 6

| Ref # | Part Number | Qty | S/P/F | Description |
|-------|-------------|-----|-------|----------------------------------|
| 1 | 720-0223 | 1 | | Grip |
| 2 | 732-0803A | 1 | /P | Spring Lever |
| 3 | 738-0529 | 1 | S | Shoulder Nut .825 x .165 Lg. |
| 4 | 710-0751 | 1 | /P | Cap Screw 1/4-20 x .620 |
| 5 | 736-0270 | 1 | /P | Bell Washer .285 ID x .75 OD |
| 6 | 748-0318 | 1 | S | Wheel Ratchet |
| 7 | 736-0369 | 1 | S | Flat Washer .508 ID x 1.0 OD |
| 8 | 682-0531 | 1 | S | Pivot Arm Assembly |
| 9 | 750-0515 | 1 | | Spacer .510 ID x .70 OD |
| 10 | 741-0978 | 1 | | Sleeve Bearing .504 ID x .830 OD |
| 11 | 750-1056 | 1 | S | Shoulder |
| 12 | 710-0653 | 1 | /P | Tap Screw 1/4-20 x .375 |
| 13 | 682-7528 | 1 | S | Chain Cover Assembly |
| 14 | 741-0324 | 1 | S | Flange Bearing .506 ID x .590 Lg |
| 15 | 682-7526 | 1 | S | Transmission Axle Assembly |
| 16 | 618-0263A | 1 | S | Transmission Assembly |
| 17 | 710-0604A | 1 | /P | Hex Screw 5/16-18 |
| 18 | 713-0453 | 1 | S | Chain |
| 19 | 638-0012 | 1 | S | Rear Axle Assembly |
| 20 | 741-0522 | 1 | S | Flange Bearing .506 ID x .715 Lg |
| 21 | 732-0832 | 1 | | Torsion Spring |
| 22 | 750-0151 | 1 | S | Spacer .550 ID x .750 OD |
| 23 | 710-1315 | 1 | /P | Screw 3/8-16 x .25 |
| 24 | 711-0835 | 1 | S | Clevis Pin .50 Dia x 4.82 Lg. |
| 25 | 750-0807 | 1 | | Spacer .385 ID x .624 OD |
| 26 | 782-0568 | 1 | S | Hgt Adjustment Spring Bracket |
| 27 | 710-1652 | 1 | /P | Screw 1/4-14 x .825 |
| 28 | 714-0474 | 1 | S | Cotter Pin |
| 29 | 712-3025 | 1 | | Hex Jam Nut 5/16-24 |
| 30 | 736-0425 | 1 | S | Bell Washer .325 ID x .930 OD |
| 31 | 756-0656 | 1 | /P | Pulley |
| 32 | 736-3084 | 1 | /P | Flat Washer .510 ID x 1.120 OD |
| 33 | 712-0896 | 1 | | Hex Jam Nut 1/4-28 |
| 34 | 782-7598 | 1 | | Belt Keeper |
| 35 | 741-0600 | 1 | S | Bearing |
| 36 | 732-0849A | 1 | S | Extension Spring |
| 37 | 750-1050 | 1 | | Flange Spacer |
| 38 | 682-0027A | 1 | S | Idler Bracket Assembly |
| 39 | 710-0299 | 1 | | Hex Cap Screw 1/4-28 x 1.0 |
| 40 | 741-0682A | 1 | /P | Bearing Sleeve |
| 41 | 736-0570 | 1 | S | Flat Washer .885 ID x 1.45 OD |
| 42 | 721-0329 | 1 | S | Oil Seal |
| 43 | 721-0325 | 1 | | Plug |
| 44 | 618-0253 | 1 | | Upper Housing Assembly |
| 45 | 782-7601A | 1 | S | Cable Bracket |
| 46 | 741-0690 | 1 | | Bearing |
| 47 | 736-0616 | 1 | S | Thrust Washer .504 ID x .70 OD |
| 48 | 782-7595 | 1 | | Pivot Bracket |
| 49 | 741-0324 | 1 | S | Flange Bearing |
| 50 | 711-1168 | 1 | | Output Shaft 6T |
| 51 | 717-1469 | 1 | | Gear 34T |
| 52 | 741-0674 | 1 | S | Bearing |
| 53 | 717-1487 | 1 | S | Bearing |

12C-999I190 LC-215 (2001)
Drive & Transmission

Page 3 of 6

| Ref # | Part Number | Qty | S/P/F | Description |
|-------|-------------|-----|-------|---------------------------|
| 54 | 736-0314 | 1 | S | Thrust Washer 3/8 x .70 |
| 55 | 736-0569 | 1 | S | Thrust Washer .388 x .625 |
| 56 | 618-0252 | 1 | S | Lower Housing Assembly |
| 57 | 710-0642 | 1 | /P | Hex Screw 1/2-20 x .75 |
| 58 | 611-0066 | 1 | S | Shaft Assembly |



12C-999I190 LC-215 (2001)
General Assembly

Page 5 of 6

| Ref # | Part Number | Qty | S/P/F | Description |
|-------|-------------|-----|-------|---------------------------------|
| 1 | 647-0004 | 1 | | Control Handle |
| 2 | 731-0904A | 1 | S | Upper Control Handle |
| 3 | 16864 | 1 | | 6 Spd. Rack Cable Bracket |
| 4 | 731-0620 | 1 | S | Control Lever |
| 5 | 731-0906 | 1 | S | Cable Mounting Cap |
| 6 | 731-0905A | 1 | S | Lower Control Housing |
| 7 | 710-1667A | 1 | /P | C Sunk Tap Screw #10 x .75 Lg |
| 8 | 749-0439C | 1 | S | Upper Handle |
| 9 | 731-0924 | 1 | | 6 Speed Shift Lever |
| 10 | 732-0627 | 1 | | Shift Lever Spring |
| 11 | 713-0397 | 1 | S | Gear Insert |
| 12 | 712-0324 | 1 | /P | Top Lock Nut 1/4-20 |
| 13 | 746-0883 | 1 | | Control Housing |
| 14 | 710-1270 | 1 | | Oval C-Sunk Screw |
| 15 | 746-1131 | 1 | S | Control Cable 46" |
| 16 | 720-0241 | 1 | S | Wing Nut |
| 17 | 736-0451 | 1 | S | Saddle Washer .320 ID x .830 OD |
| 18 | 710-1174 | 1 | /P | Carriage Bolt 5/16-18 x 2.0 |
| 19 | 746-0711A | 1 | S | Drive Cable 51.0 |
| 20 | 726-0240 | 1 | S | Cable Tie |
| 21 | 749-0907A | 1 | S | Lower Handle |
| 22 | 712-0397 | 1 | S | Wing Nut |
| 23 | 710-0703 | 1 | /P | Carriage Bolt 1/4-20 x .75 |
| 24 | 782-0046B | 1 | /P | Deck 21" |
| 25 | 732-0842 | 1 | | Trail Shield Wire |
| 26 | 731-1901 | 1 | S | Trail Shield |
| 27 | 664-0104 | 1 | | Grassbag |
| 28 | 747-0940A | 1 | S | Support Rod w/ Rope Guide |
| 29 | 747-0939 | 1 | | Pivot Rod |
| 30 | 747-0937 | 1 | S | Grassbag Frame |
| 31 | 631-0071 | 1 | /P | Grassbag Cover |
| 32 | 731-1833 | 1 | S | Mulch Cover |
| 33 | 731-1832 | 1 | | Side Discharge Chute |
| 34 | 631-0066 | 1 | S | Chute Assembly |
| 35 | 726-0111 | 1 | /P | Push Cap |
| 36 | 732-0819 | 1 | | Torsion Spring |
| 37 | 731-1874 | 1 | | Chute Door |
| 38 | 747-0965 | 1 | | Pivot Rod |
| 39 | 731-1713B | 1 | S | Discharge Chute |
| 40 | 710-1348 | 1 | /P | Screw 1/4-14 x .500 |
| 41 | 746-0939 | 1 | S | 6 Speed Cable |
| 42 | 710-0167 | 1 | /P | Carriage Screw 1/4-20 x .50 |
| 43 | 782-7574A | 1 | S | Cable Adjustment Bracket |
| 44 | 736-0270 | 1 | /P | Bell Washer .265 ID x .75 OD |
| 45 | 712-0287 | 1 | S | Hex Nut 1/4-20 |
| 46 | 712-0138 | 1 | S | Hex Nut 1/4-28 |
| 47 | 782-7575A | 1 | S | Cable Mounting Bracket |
| 48 | 736-0329 | 1 | S | Lock Washer 1/4 |
| 49 | 756-0625 | 1 | | Roller Cable |
| 50 | 738-0924 | 1 | S | Shoulder Screw .375 ID x 1/4-14 |
| 51 | 734-2010 | 1 | S | Wheel 9 x 2 |
| 52 | 16855 | 1 | | Ratchet Pawl Plate |
| 53 | 748-0381 | | | |

12C-999I190 LC-215 (2001)
General Assembly

Page 6 of 6

| Ref # | Part Number | Qty | S/P/F | Description |
|-------|-------------|-----|-------|--------------------------------|
| | 748-0188B | 1 | S | Pawl LH |
| 54 | 748-0318 | 1 | S | Wheel Ratchet |
| 55 | 736-0270 | 1 | /P | Bell Washer .265 ID x .75 OD |
| 56 | 731-0982A | 1 | S | Rear Hubcap |
| 57 | 710-0751 | 1 | /P | Hex Cap Screw 1/4-20 x .620 |
| 58 | 738-0137A | 1 | S | Shld Screw .340 ID x .285 OD |
| 59 | 10622B | 1 | S | Plastic Spring Ratchet |
| 60 | 712-0414 | 1 | S | Top Lock Tab Weld Nut 1/4-20 |
| 61 | 747-0924 | 1 | | Locking Pin |
| 62 | 726-0214 | 1 | /P | Push Cap |
| 63 | 736-0366 | 1 | /P | Flat Washer 5/8" ID x 1.0" OD |
| 64 | 732-0306 | 1 | S | Compression Spring |
| 65 | 741-0685 | 1 | | Flange Bearing |
| 66 | 682-9020A | 1 | /P | Caster Assembly RH |
| | 682-9021A | 1 | /P | Caster Assembly LH |
| 67 | 736-0264 | 1 | S | Flat Washer .330 ID x .830 OD |
| 68 | 714-0104 | 1 | S | Cotter Pin |
| 69 | 737-3000 | 1 | S | Grease Fitting |
| 70 | 736-0931 | 1 | /P | Flat Washer .203 ID x .403 OD |
| 71 | 712-0397 | 1 | S | Wing Nut 1/4-20 |
| 72 | 736-0232 | 1 | S | Wave Washer |
| 73 | 711-1146 | 1 | S | Caster Axle .374 Dia x 2.50" |
| 74 | 731-1888 | 1 | | Front Hubcap |
| 75 | 734-1857 | 1 | /P | Wheel 7 x 2 |
| 76 | 750-1071 | 1 | S | Sleeve Spacer .88 ID x 1.13 OD |
| 77 | 750-1071 | 1 | S | Sleeve Spacer .88 ID x 1.13 OD |
| 78 | 754-0460 | 1 | S | Belt 3/8 x 39.24 |
| 79 | 750-1070 | 1 | S | Sleeve Spacer .88 ID x 1.00 OD |
| 80 | 782-7597 | 1 | /P | Pivot Bracket |
| 81 | 710-0654A | 1 | /P | Screw 3/8-18 x 1.0 |
| 82 | 782-7596 | 1 | S | Control Arm |
| 83 | 732-0807 | 1 | S | Torsion Spring |
| 84 | 736-0526 | 1 | S | Wave Washer 1.38 ID x .88 OD |
| 85 | 711-1114 | 1 | | Pivot Shaft |
| 86 | 731-1828 | 1 | | Baffle |
| 87 | 710-0653 | 1 | /P | Screw 1/4-20 x 3.75 |
| 88 | 753-0609 | 1 | | Blade Adapter Kit |
| 89 | 742-0741 | 1 | S | 21" Mulching Blade |
| 90 | 736-0524A | 1 | S | Blade Bell Support |
| 91 | 710-1257 | 1 | /P | Hex Bolt 3/8-24 x 2.5 |
| 92 | 720-0294 | 1 | /P | Grip |